

Line Changer (3 Way Ball Valve)

2", 2½" & 3"

The Line Changer (3 Way Ball Valve) is designed to divert flow of water in the piping system to irrigate two different fields.



HIGHLIGHTS

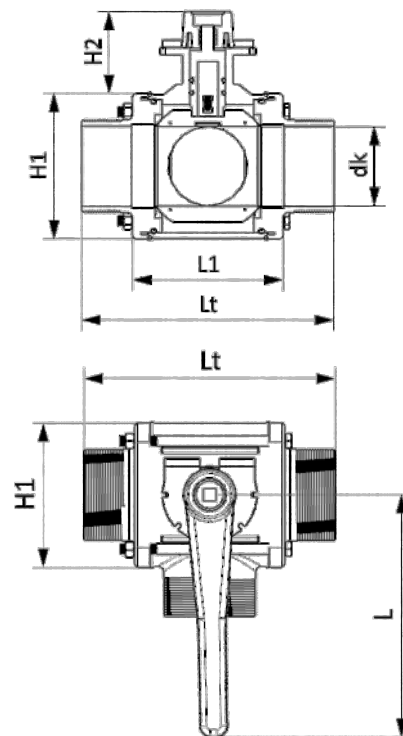
- **Connection Sizes:** Available in 2", 2½" & 3" male threaded (BSP/NPT) end connections.
- **Lightweight Aluminum Construction:** Durable and easy to handle.
- **Long Handle Design:** Facilitates effortless opening and closing of valve.
- **Handle Locking Feature:** To prevent unwanted handle movement during operation.
- **Max Operating Pressure:** (PN: 6) rated valves.
- **Flow Diversion:** Easy to divert full pipe flow in required direction.
- **Partial Flow Control:** Supports flow variations of 25% and 75% between two separate irrigation systems.
- **Maintenance Friendly:** Designed for inline maintenance and easy dismantling.

APPLICATIONS

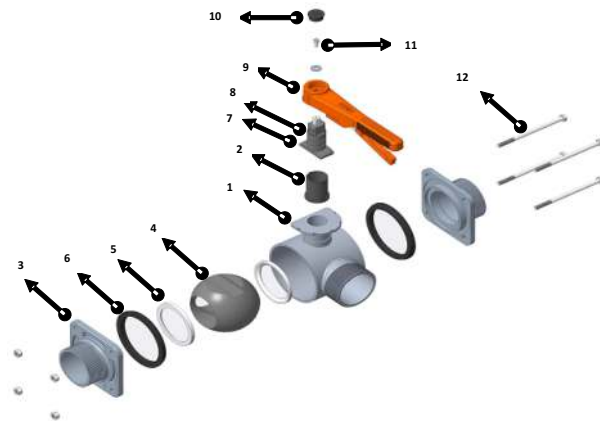
- Agriculture and landscape irrigation



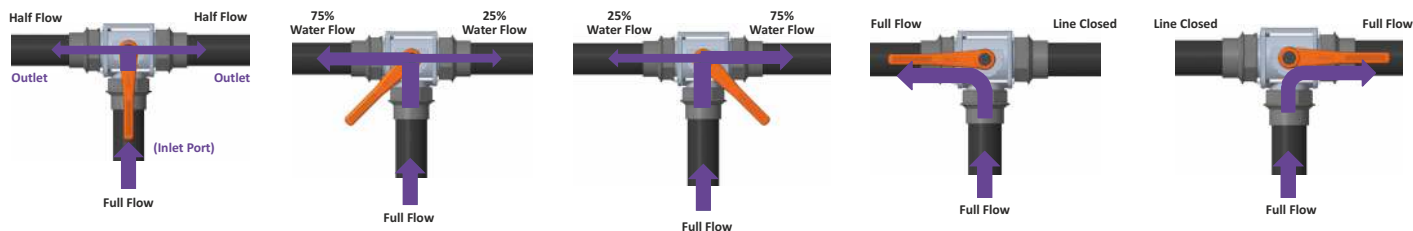
Product Dimensions				
Dimensions		Valve Size		
		2"	2½"	3"
TPI	BSP	11	11	11
	NPT	11.5	8	8
dk	CM	4.9	5.9	7.6
	INCH	1 ⁵⁹ / ₆₄	2 ²¹ / ₆₄	2 ⁶³ / ₆₄
H1	CM	4.8	10.7	13.8
	INCH	1 ⁵⁷ / ₆₄	4 ⁷ / ₃₂	5 ⁷ / ₁₆
H2	CM	9.5	8.9	8.9
	INCH	3 ⁴⁷ / ₆₄	3½	3½
L1	CM	8.9	11.3	13
	INCH	3½	4 ²⁹ / ₆₄	5 ¹ / ₈
Lt	CM	15.1	19.1	21.8
	INCH	5 ¹⁵ / ₁₆	7 ³³ / ₆₄	8 ³⁷ / ₆₄
L	CM	14	23	23
	INCH	5 ³³ / ₆₄	9 ¹ / ₁₆	9 ¹ / ₁₆



Material Specification			
Part No	Part Name	Material	Quantity
1	Body	Aluminum	1
2	Body Sleeve	POM	1
3	Flange	Aluminum	2
4	Ball	UPVC	1
5	seal	TPE	2
6	Gasket	NBR	2
7	Shaft assembly	UPVC+SS	1
8	Shaft O-Ring	NBR	2
9	Handle assembly	PPGF + Aluminum	1
10	Handle Logo cap	ABS	1
11	Handle Screw+Washer	SS	1 set
12	Long Bolt+Nut+ Washer	SS	4 set



Flow Diversion



Diversion of flow of water in a piping system made easy